

3632T

REACH MORE
MORE REACH

- 43½ ft working height

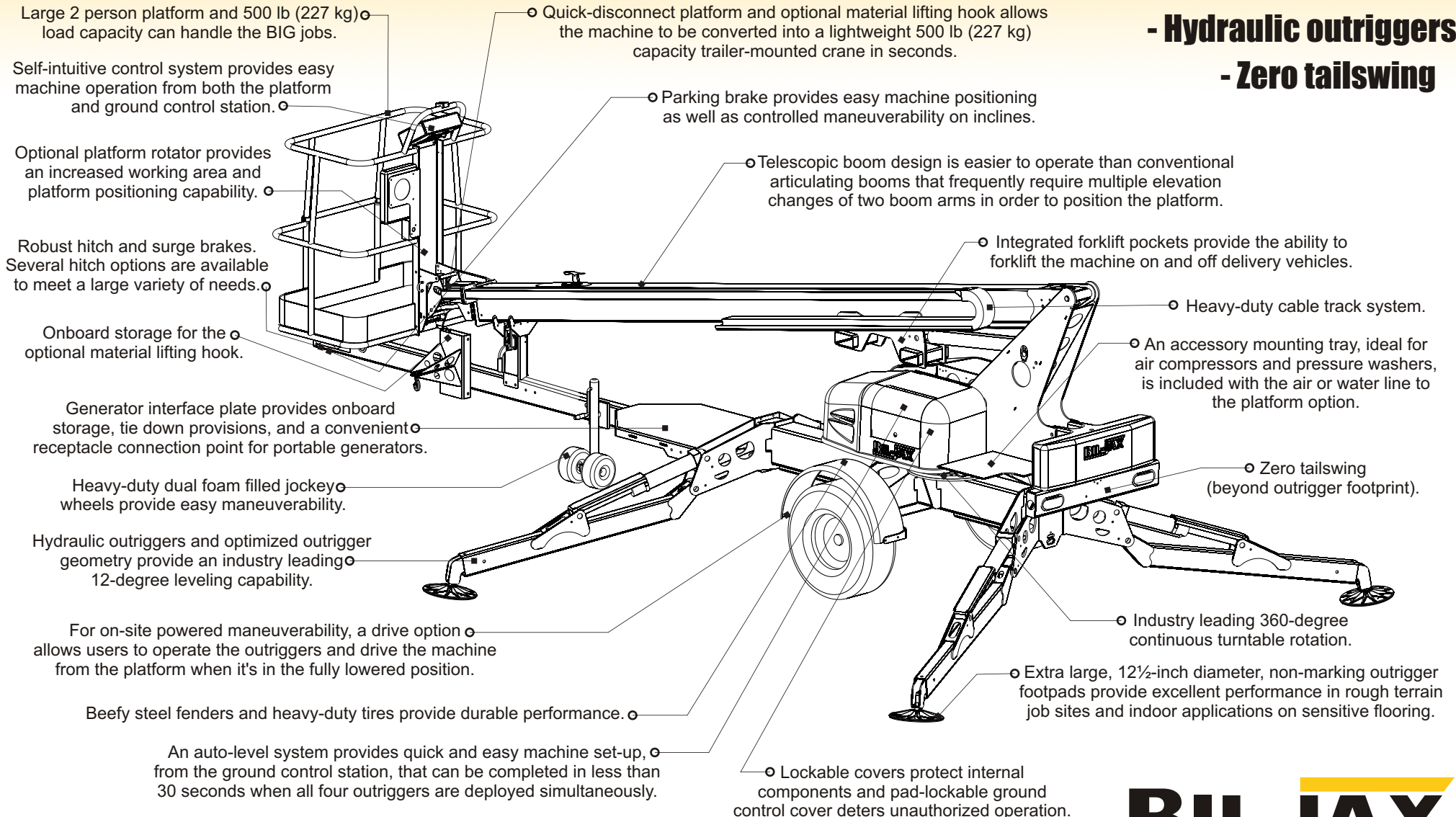
- 32 ft maximum outreach

- 360° continuous rotation

- Automatic leveling

- Hydraulic outriggers

- Zero tailswing



BIL-JAX 3632T

Automatic Leveling System

A self-leveling system provides quick and easy set-up in less than 30 seconds.

Hydraulic Outriggers

Optimized outrigger geometry provides industry leading leveling capability.

Working Envelope and Outreach

The telescopic boom design offers exceptional outreach and working envelope and is easier to operate compared to conventional articulating booms.

Easy to Use

Both the platform and ground control station feature an easy-to-understand display panel with control buttons that are logically positioned around a single machine image for easy identification of button functions.

Versatile

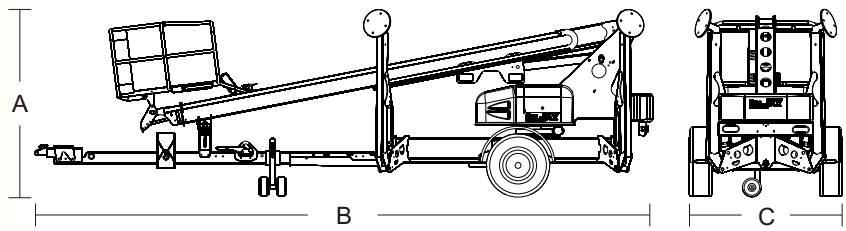
A quick-disconnect platform and optional material lifting system provides the ability to convert the machine into a light duty crane.

Easy to Transport

The boom is easily towed with a Class 3 hitch. Convenient integrated forklift pockets are also provided.

Standard Features

- 43½ ft (13.4 m) maximum working height
- 32 ft (9.8 m) working outreach
- 500 lb (227 kg) lift capacity
- Outrigger interlocks and tilt alarm/sensor
- Automatic leveling system
- Hydraulic outriggers
- 360-degree continuous turntable rotation
- Multiple control function speeds
- Self-leveling platform
- 110/60 GFI outlet in platform
- Surge and parking brakes
- Hour meter and battery condition indicator
- 12½-inch diameter non-marking footpads
- Heavy-duty 2-inch ball hitch



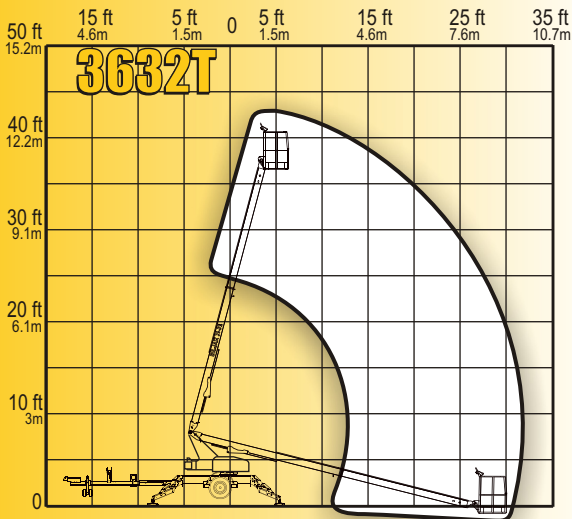
Product Specifications

| | US | Metric |
|--------------------------------------|-------------------|----------|
| Working height ¹ | 43 ft 6 in | 13.4 m |
| Maximum platform height ² | 37 ft 6 in | 11.4 m |
| Horizontal outreach | | |
| Maximum (from centerline) | 32 ft | 9.8 m |
| Maximum (from edge of footpad) | 27 ft | 8.2 m |
| Turntable rotation | 360° continuous | |
| Load capacity | 500 lbs | 227 kg |
| (A) Height - stowed | 76 3/4 in | 195 cm |
| (B) Length - stowed | 21 ft 11 in | 6.7 m |
| (C) Width - stowed | 5 ft 5 in | 165 cm |
| Height - platform | 43 in | 109 cm |
| Length - platform | 30 in | 76 cm |
| Width - platform | 48 in | 122 cm |
| Platform rotation (optional) | 90° / manual | |
| Outrigger type | Hydraulic | |
| Leveling system | Auto Leveling | |
| Leveling capability | 12° | |
| Outrigger footprint - length | 12 ft 2 in | 3.7 m |
| Outrigger footprint - width | 11 ft 3 1/2 in | 3.4 m |
| Footpad diameter | 12 1/2 in | 32 cm |
| Tow speed rating | 65 mph | 105 km/h |
| Tongue weight | 160 lbs | 73 kg |
| Overrun brakes | Standard | |
| Parking brake | Standard | |
| Tire size | ST 225/75 R15D | |
| Standard control system | 24V DC | |
| Batteries | 4 x 6V 245 amp-hr | |
| Charger | 40 amp | |
| Total weight ³ | 4,200 lbs | 1,905 kg |

¹ The metric equivalent of working height adds 2 m to the maximum platform height. U.S. adds 6 ft to the maximum platform height.

² Maximum platform height when outriggers are fully extended on a level surface.

³ Weight will vary depending on options and/or market destination.



RANGE OF MOTION

Options:

- Material lifting hook
- DC/Gas hybrid power
- Drive and set option
- Platform rotator
- Air line to platform
- Water line to platform
- Spare tire & wheel
- Tool tray
- Adjustable height combination hitch
- Various combination hitch couplers
- Custom colors

BIL-JAX TRAILER-MOUNTED
A STEP ABOVE® **BOOMS**

125 Taylor Parkway
Archbold, OH 43502-9309
419-445-8915 / 800-537-0540
Fax 419-445-0367 / www.biljax.com